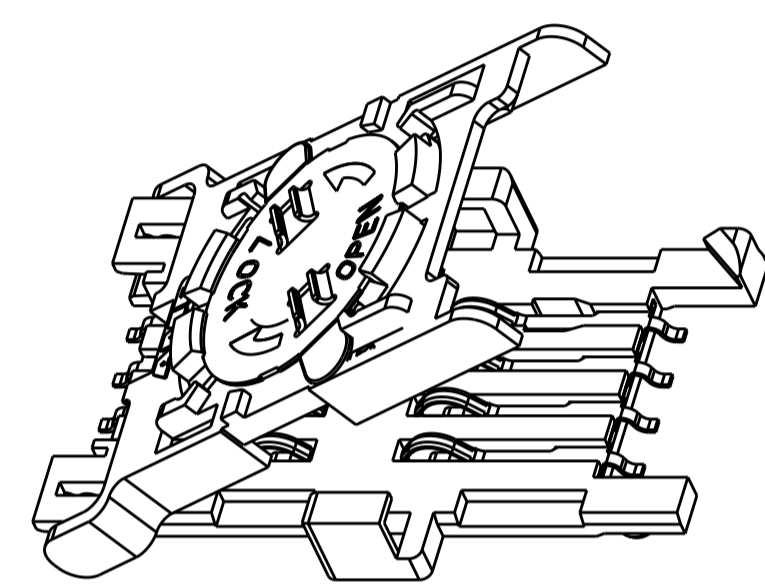
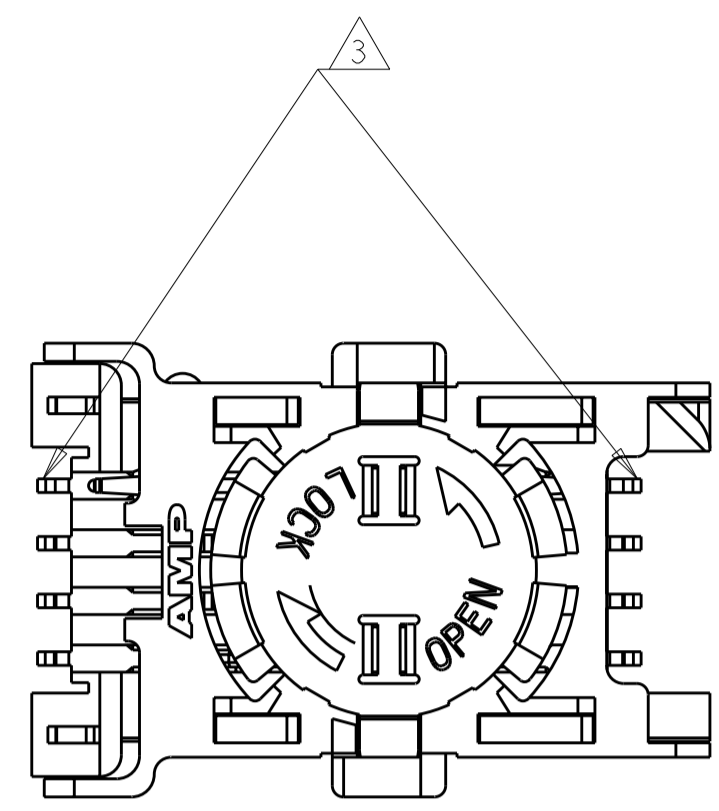


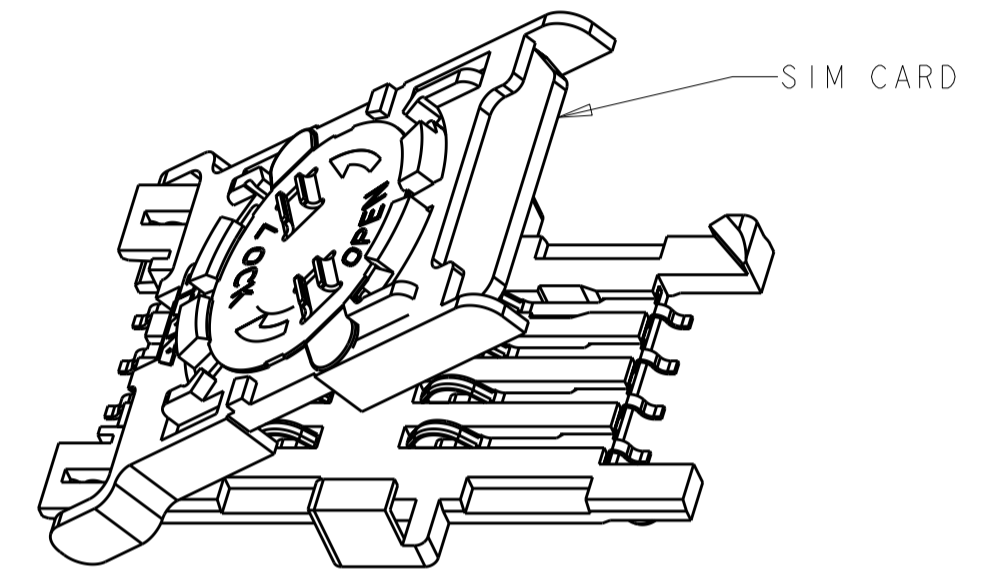
THIS DRAWING IS UNPUBLISHED. RELEASED FOR PUBLICATION 20
 © COPYRIGHT 20 BY - ALL RIGHTS RESERVED.

LOC	DIST	REVISIONS					
GP	00	P	LTR	DESCRIPTION	DATE	DWN	APVD
		P		REVISED PER ECO-11-005027	16MAR2011	RK	HMR

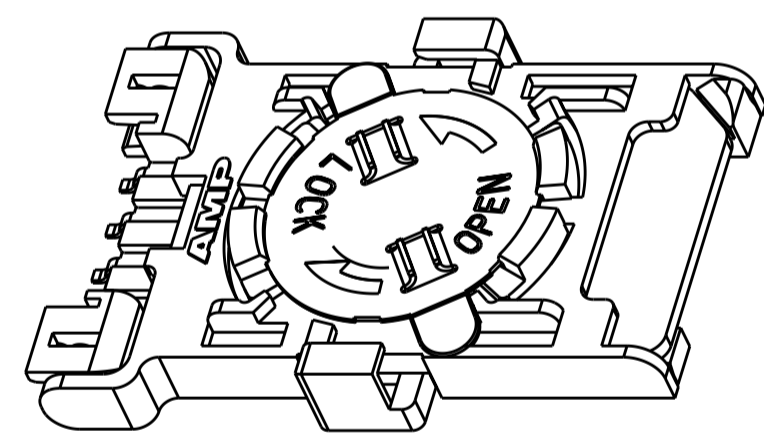
- ① HOUSING: THERMOPLASTIC, CONTACTS: PHOSPHOR BRONZE, LOCKING DISK: STAINLESS STEEL.
- ② CONTACTS: GOLD PLATE ON MATING SURFACE, TIN ON SOLDER TAIL, ALL OVER NICKEL UNDERPLATE.
- ③ CARD DETECTOR SWITCH CONTACTS IF APPLICABLE.
- ④ DATUMS AND DIMENSIONS ESTABLISHED BY CUSTOMER.



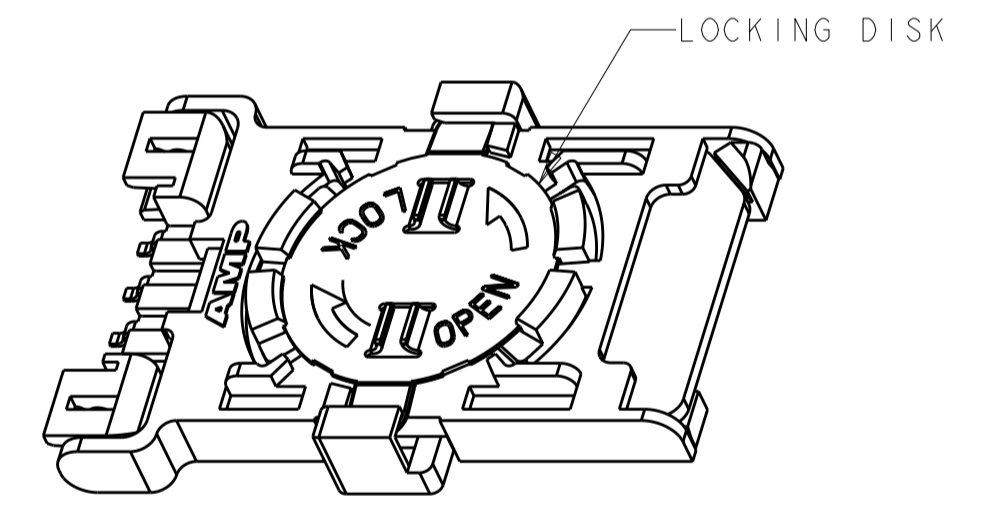
CONNECTOR SHOWN OPEN WITH HINGED COVER AND LOCKING MECHANISM



STEP 1
SLIDE SIM CARD INTO LID

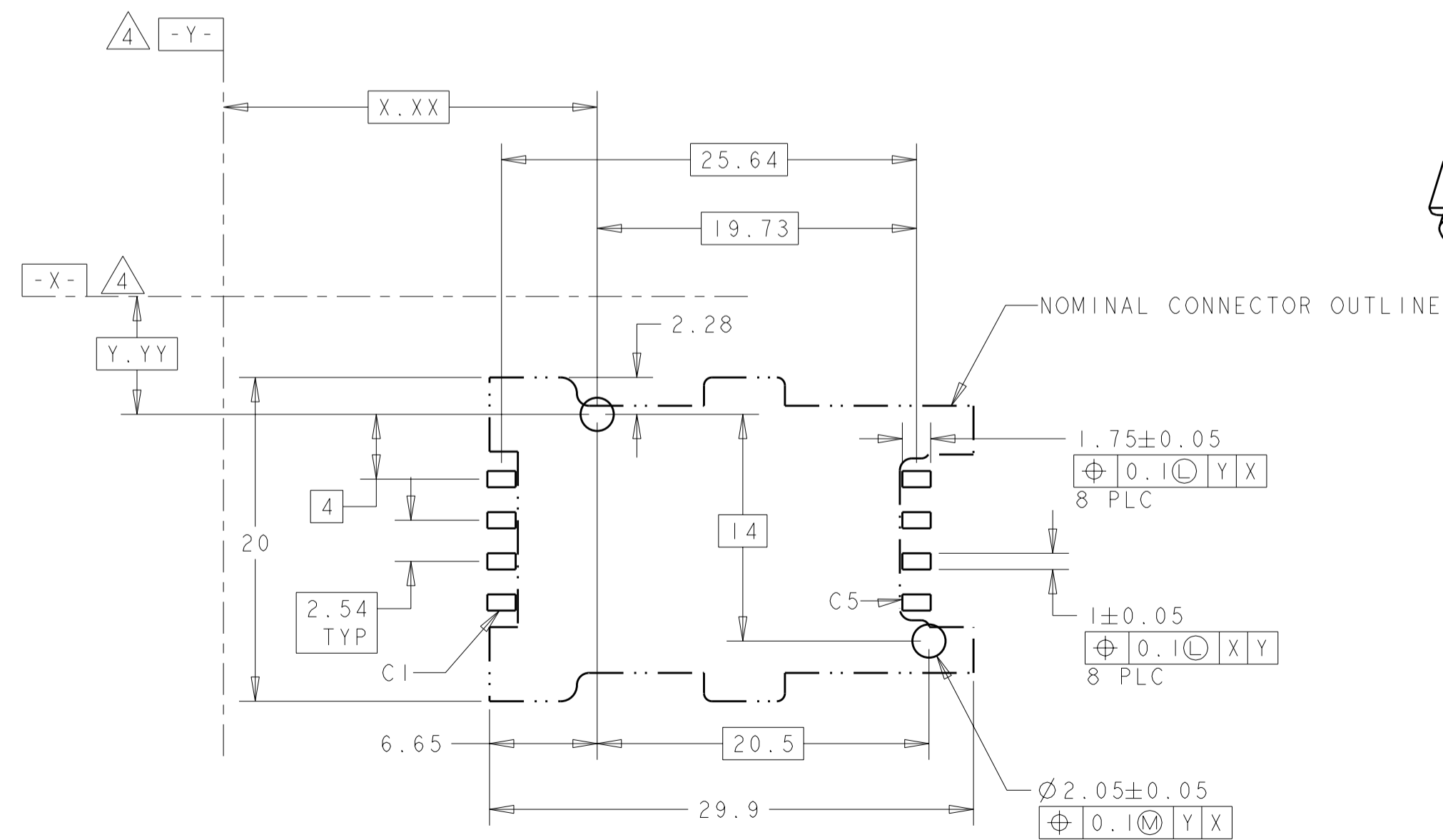
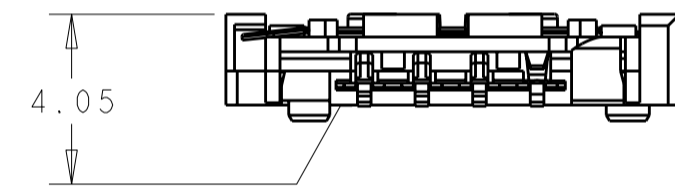
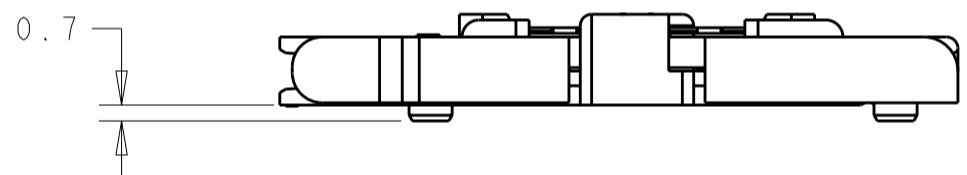


STEP 2
ROTATE LID DOWN TO HORIZONTAL POSITION



STEP 3
ROTATE LOCKING DISK CLOCKWISE TO SECURE SIM CARD IN READABLE POSITION

TO REMOVE CARD, ROTATE LOCKING DISK COUNTER CLOCKWISE, SIM CARD WILL THEN BE ACCESSIBLE AS SEEN IN STEP 1.



RECOMMENDED P.C. BOARD PATTERN

8	5145299-2
6	③ 5145299-1
POSITIONS	PART NUMBER

THIS DRAWING IS A CONTROLLED DOCUMENT.		DWN J. GERACE 01JUN05	 TE Connectivity	NAME SIM/SAM CONNECTOR WITH LID, 8 POSN OR 6 POSN WITH SWITCH, SURFACE MOUNT		
DIMENSIONS: mm		CHK D. GORENC 01JUN05		PRODUCT SPEC -	SIZE A2	CAGE CODE 0779
TOLERANCES UNLESS OTHERWISE SPECIFIED:		APVD M. WALMSLEY 01JUN05		APPLICATION SPEC -	DRAWING NO C-5145299	RESTRICTED TO -
0 PLC ± 1 PLC ± 2 PLC ± 3 PLC ± 4 PLC ± ANGLES ± FINISH		WEIGHT -		CUSTOMER DRAWING	SCALE 3:1	SHEET 1 OF 1 REV P